

CORVI®

Corvi LED Light



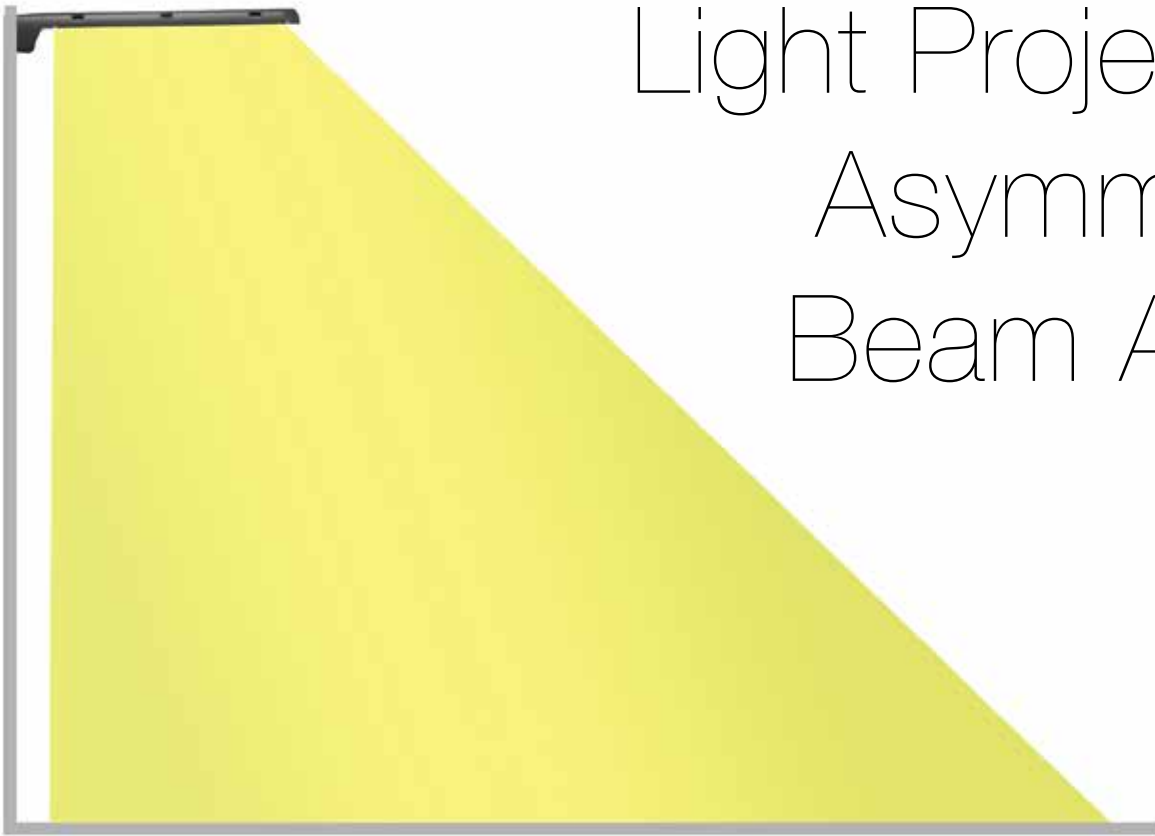
Street Light 25

Type	Outdoor
Power Consumption	25 W
Luminous Flux	3750 @ 5700 K (Lm)
Color Rendering Index	> 80 Ra
Power Factor (PF)	> 0.97
Operating Temperature	-30°C ~ +50°C
IP	67
Color Temperature (CCT)	3K /4K/5.7K
Operating Voltage	200-240 V AC, 50/60 Hz
Dimension	246 X 149 X 35 (mm)
Weight	200 gm

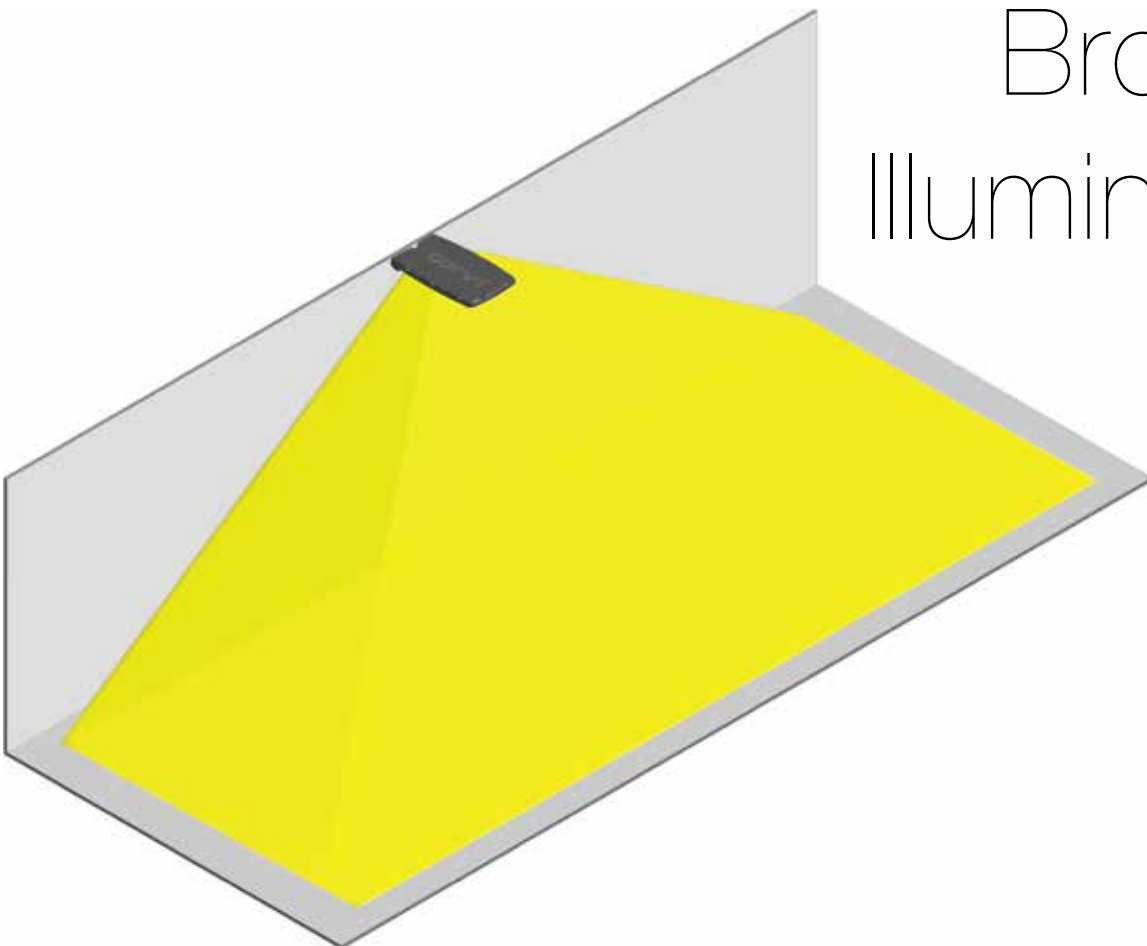
Safety standard

- i. Do not attempt to disassemble, repair or perform any unauthorised modifications on the luminaire
- ii. Do not handle with wet hands, immerse in liquids or expose to water and rain, electric shock or fire may result
- iii. Keep out of reach from children
- iv. Do not operate luminaire in presence of flammable gas or vapors
- v. Do not use product if it emits smoke or a strange odour; disconnect power source immediately to avoid personal injury and contact place of purchase
- vi. Do not intentionally stare or gaze at LED luminaire for prolonged periods while the luminaire is on
- vii. Do not use or leave luminaire in conditions of extreme heat, severe cold or high humidity
- viii. Risk Of fire or electric shock. LED retrofit installation must be done by a qualified electrician and all safety instructions must be followed to avoid a risk of injury and property damage. Do not disassemble this product and replace any LED or other internal components. When the light source reaches its end of life the whole luminaire should be replaced
- ix. Remove any cracked protective shield

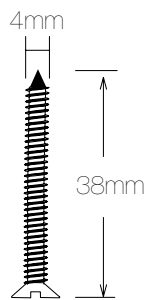
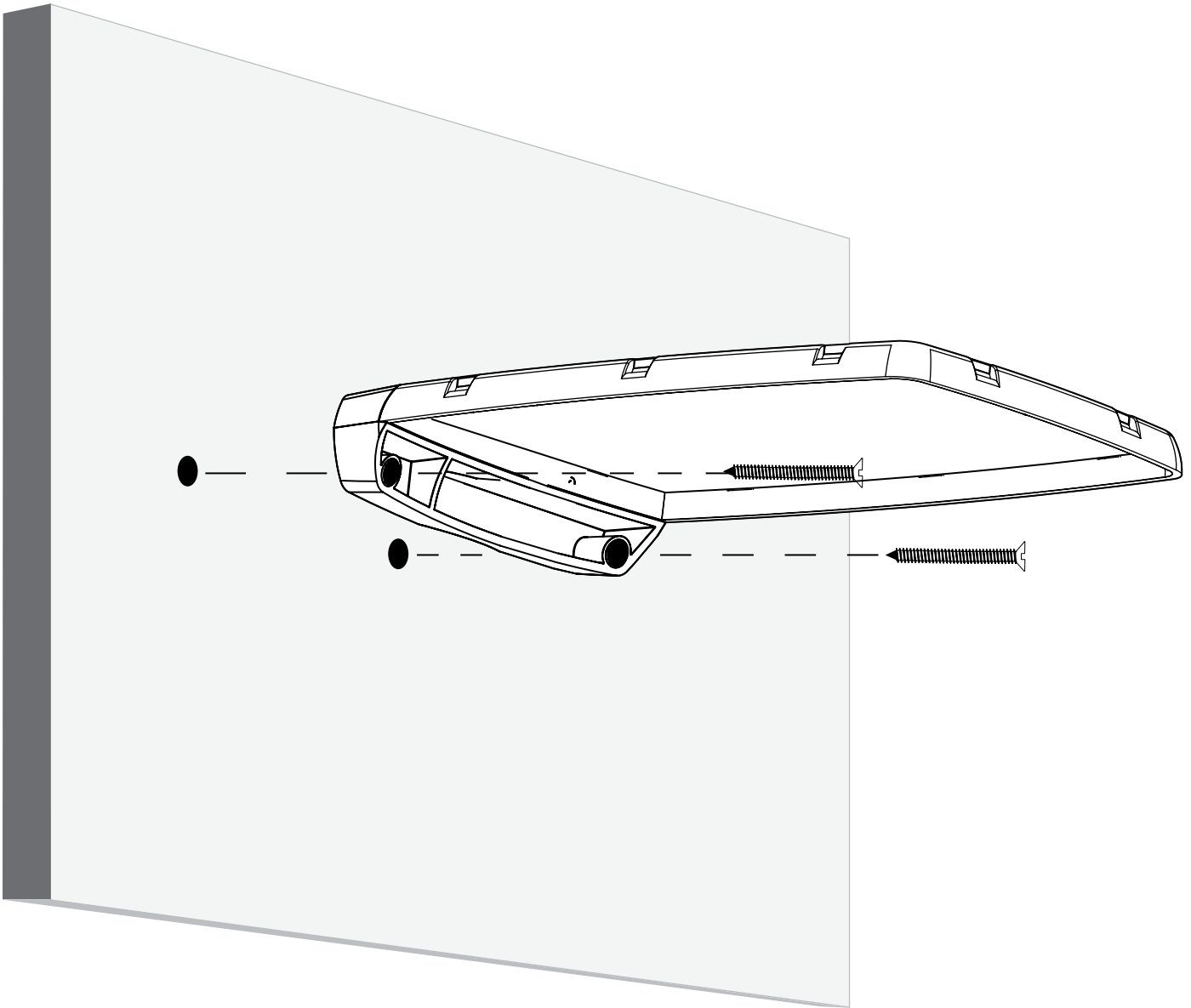
Light Projection
Asymmetric
Beam Angle



Broader
Illumination
Area

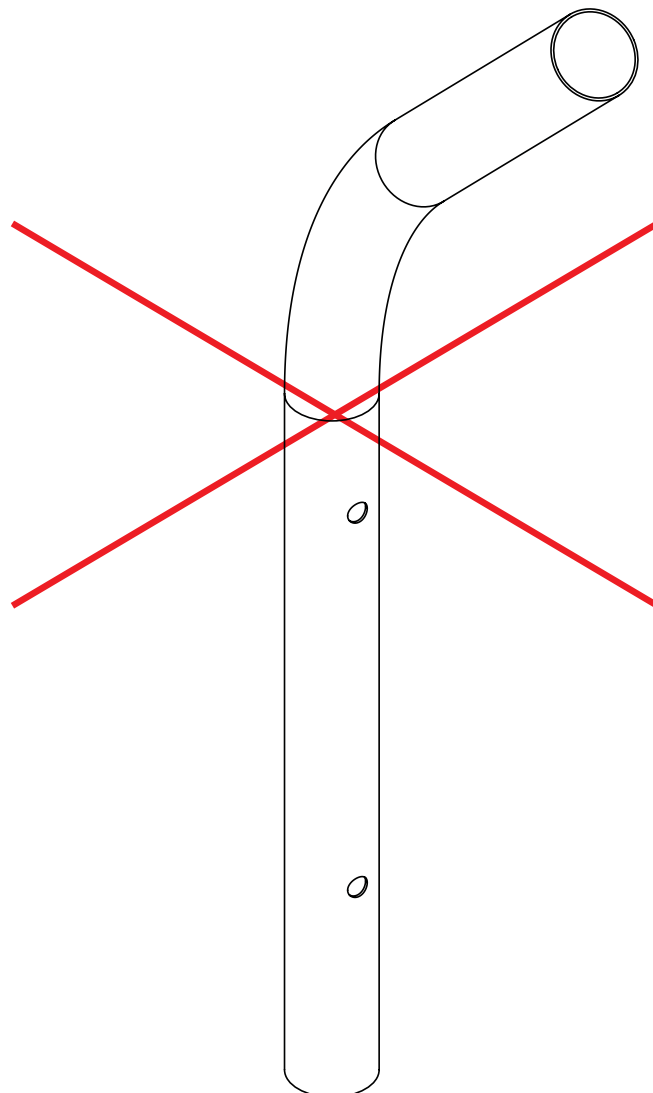
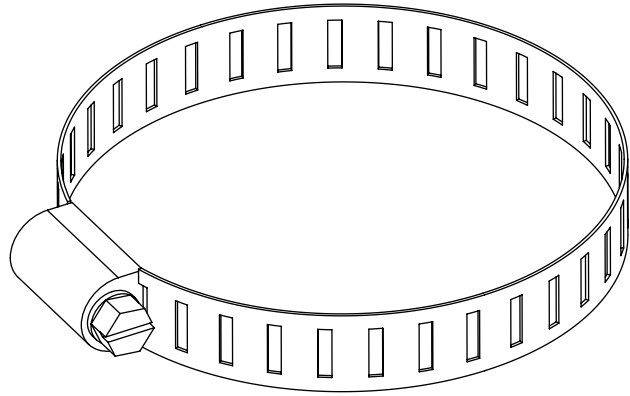


Wall Mounting



Sr.No. 8
Use slotted CSK head
Self Tapping SS Screws

Hose Clamp cannot be used on inclined pole



Straight Pole Mounting

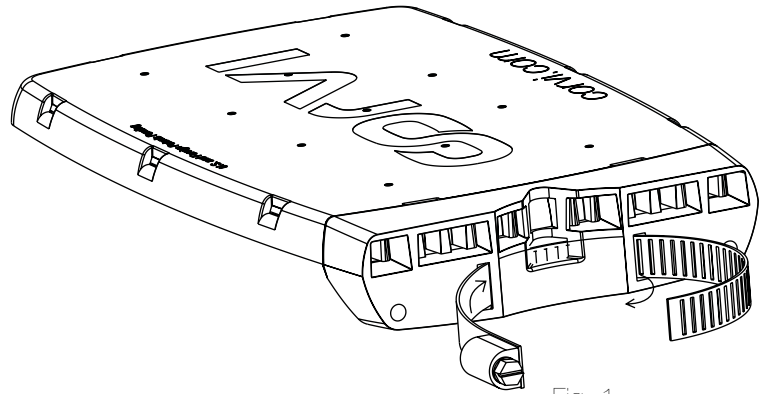


Fig. 1
Insert Hose
Clamp

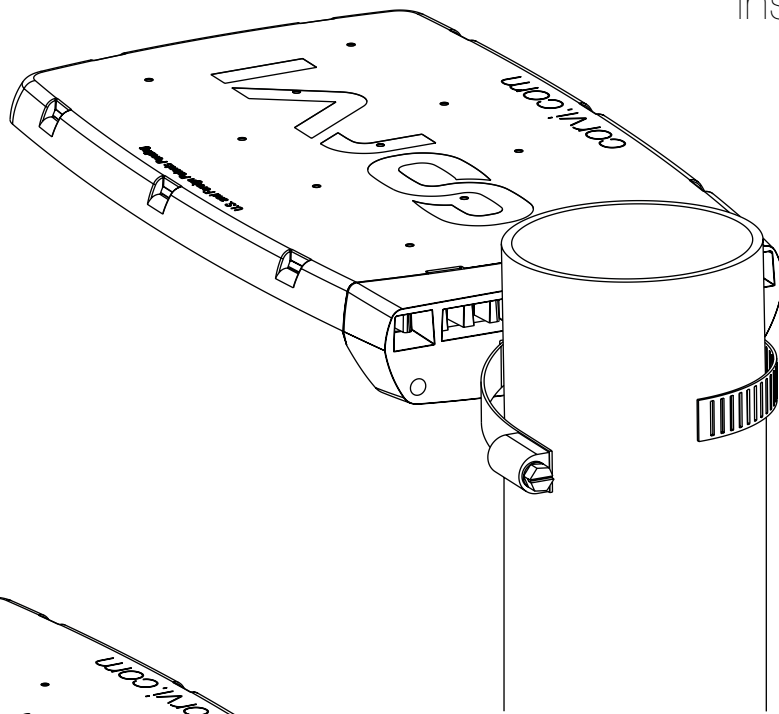


Fig. 2
Mount on Pole

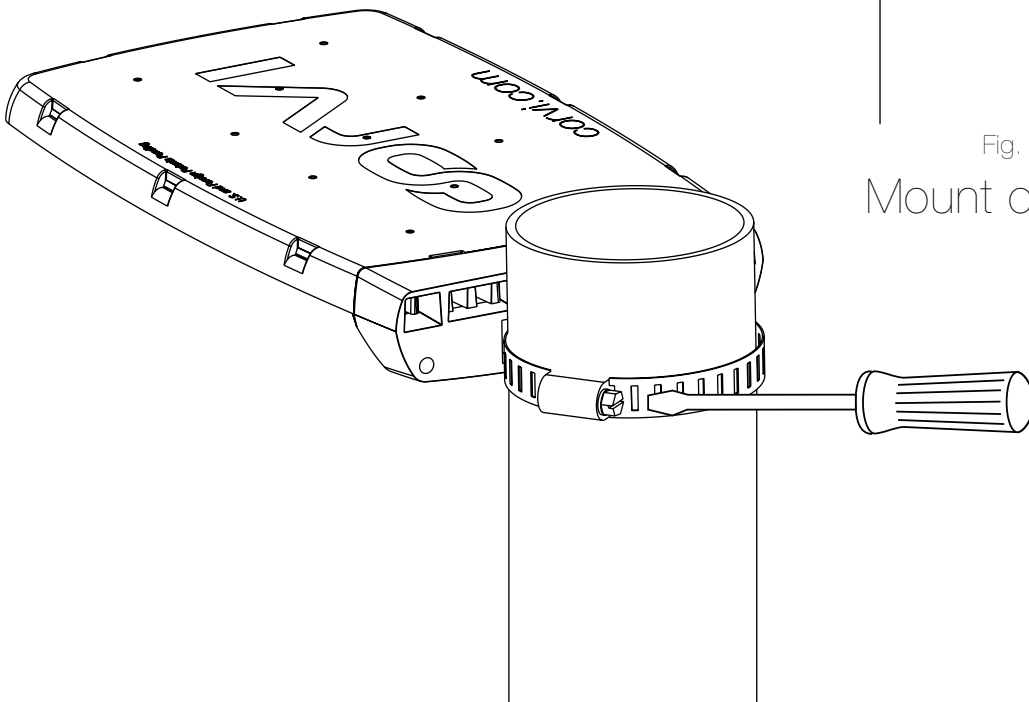


Fig. 3
Close the Clamp